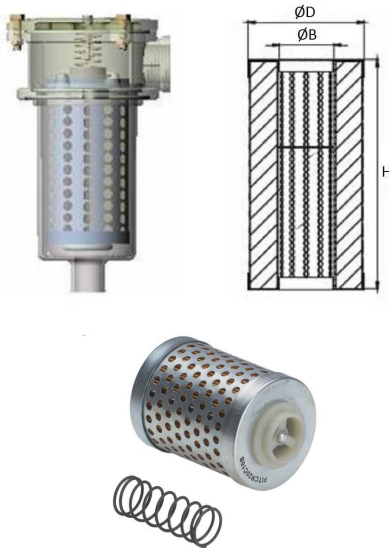


Filters

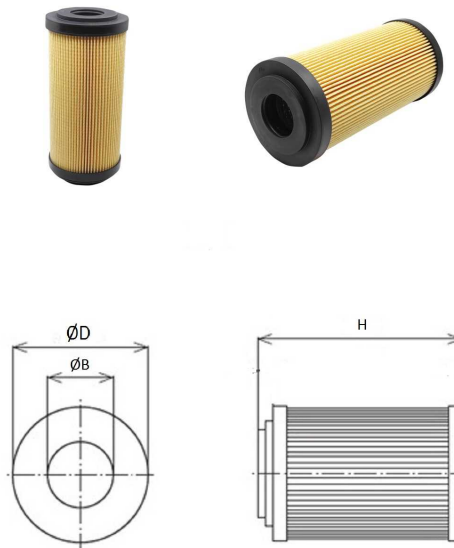
Return filter semi-submerged (cartridge)

Page: 1/1

FITCR10C10B  
...  
FITCR22C25B



FITCR40C10B  
FITCR40C25B



All of the filters have bypass.

Opening of the bypass valve: 1 bar

Part n°	Details	Max. flow (l/min)	ØB	ØD	H
<b>FITCR10C10B</b>	Carton 10 µm	50	25,5	52	72
<b>FITCR10C25B</b>	Carton 25 µm	50	25,5	52	72
<b>FITCR20C10B</b>	Carton 10 µm	100	30,5	66	85
<b>FITCR20C25B</b>	Carton 25 µm	100	30,5	66	85
<b>FITCR22C10B</b>	Carton 10 µm	100	30,5	66	130
<b>FITCR22C25B</b>	Carton 25 µm	100	30,5	66	130
<b>FITCR40C10B</b>	Carton 10 µm	250	41	100	220
<b>FITCR40C25B</b>	Carton 25 µm	250	41	100	220

TOL--> ØB:±0,3; ØD:±0,5; H:±1,6