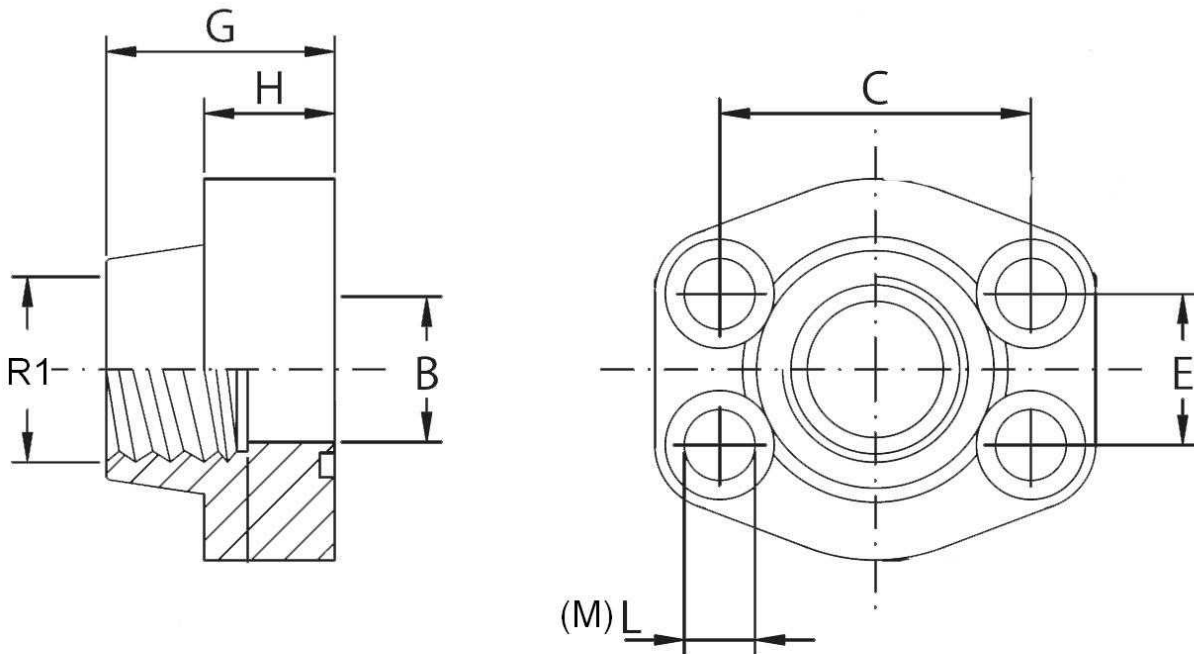


BSP Female threaded flange

Mild Steel

1/2



Part nº	Serie	R1	Size	Screw	O'Ring	OR 1	PU Joint	ØB	ØL	C	E	G	H	M
BBRG30808	3000 PSI	1/2" BSP	1/2"	TB8X30	4075	18.64X3.53	JBR08	13	9	38,1	17,48	36	16	M8x30
BBRG30806	3000 PSI	3/8" BSP	1/2"	TB8X30	4075	18.64X3.53	JBR08	13	9	38,1	17,48	36	16	M8x30
BBRG31212	3000 PSI	3/4" BSP	3/4"	TB10X35	4100	24.99X3.53	JBR12	19	11	47,63	22,23	36	18	M10x35
BBRG31208	3000 PSI	1/2" BSP	3/4"	TB10X35	4100	24.99X3.53	JBR12	13	11	47,63	22,23	36	18	M10x35
BBRG31616	3000 PSI	1" BSP	1"	TB10X35	4131	32.92X3.53	JBR16	25	11	52,37	26,19	38	18	M10x35
BBRG31612	3000 PSI	3/4" BSP	1"	TB10X35	4131	32.92X3.53	JBR16	19	11	52,37	26,19	35	21	M10x40
BBRG32020	3000 PSI	1"1/4 BSP	1"1/4	TB10X40	4150	37.70X3.53	JBR20	32	11,5	58,72	30,18	40	21	M10x40
BBRG32016	3000 PSI	1" BSP	1"1/4	TB10X40	4150	37.70X3.53	JBR20	25	11,5	58,72	30,18	42	25	M10x40
BBRG32424	3000 PSI	1"1/2 BSP	1"1/2	TB12X45	4187	47.22X3.53	JBR24	38	13,5	69,85	35,71	45	25	M12x45
BBRG32420	3000 PSI	1"1/4 BSP	1"1/2	TB12X45	4187	47.22X3.53	JBR24	32	13,5	69,85	35,71	45	27	M12x45
BBRG33232	3000 PSI	2" BSP	2"	TB12X45	4225	56.74X3.53	JBR32	51	13,5	77,77	42,88	45	25	M12x45
BBRG33224	3000 PSI	1"1/2 BSP	2"	TB12X45	4225	56.74X3.53	JBR32	38	13,5	77,77	42,88	45	25	M12x45
BBRG34040	3000 PSI	2"1/2 BSP	2"1/2	TB12X45	4275	66.27X3.53	-	63	13,5	88,9	50,8	50	25	M12x45
BBRG34032	3000 PSI	2" BSP	2"1/2	TB12X45	4275	66.27X3.53	-	51	13,5	88,9	50,8	50	25	M12x45
BBRG34840	3000 PSI	2"1/2 BSP	3"	TB16X50	4337	85.32X3.53	-	63	17,5	106,38	61,93	50	27	M16x50
BBRG34848	3000 PSI	3" BSP	3"	TB16X50	4275	85.32X3.24	-	73	17,5	106,38	61,93	50	27	M 16x50
BBRG35656	3000 PSI	3"1/2 BSP	3"1/2	TB16X50	4387	98.02X3.53	-	89	17,5	120,65	69,85	48	27	M16x50
BBRG35648	3000 PSI	3" BSP	3"1/2	TB16X50	4387	98.08X3.53	-	73	17,5	120,65	69,85	48	27	M16x50
BBRG36464	3000 PSI	4" BSP	4"	TB16X50	4437	110.72X3.53	-	99	17,5	130,18	77,77	48	27	M16x50
BBRG36456	3000 PSI	3"1/2 BSP	4"	TB16X50	4437	110.72X3.53	-	89	17,5	130,18	77,77	48	27	M16x50
BBRG60808	6000 PSI	1/2" BSP	1/2"	TB8X30	4075	18.64X3.53	JBR08	13	9	40,49	18,24	36	16	M8x30
BBRG60806	6000 PSI	3/8" BSP	1/2"	TB8X30	4075	18.64X3.53	JBR08	13	9	40,49	18,24	36	16	M8x30
BBRG61212	6000 PSI	3/4" BSP	3/4"	TB10X40	4100	24.99X3.53	JBR12	19	11	50,8	23,8	35	21	M10x40
BBRG61208	6000 PSI	1/2" BSP	3/4"	TB10X40	4100	24.99X3.53	JBR12	13	11	50,8	23,8	35	21	M10x40
BBRG61616	6000 PSI	1" BSP	1"	TB12X45	4131	32.92X3.53	JBR16	25	13	57,15	27,76	42	25	M12x45
BBRG61612	6000 PSI	3/4" BSP	1"	TB12X45	4131	32.92X3.53	JBR16	19	13	57,15	27,76	42	25	M12x45
BBRG62020	6000 PSI	1"1/4 BSP	1"1/4	TB14X45	4150	37.70X3.53	JBR20	32	15	66,68	31,75	45	27	M14x45

The information gathered in this technical documentation (Catalogue) has an informative character and can be modified without previous notice. DICSA will not accept any type of responsibility resulting from an inappropriate use of the product, except the ones related to manufacturing defects.

BSP Female threaded flange

Mild Steel

2/2

Part n°	Serie	R1	Size	Screw	O'Ring	OR 1	PU Joint	ØB	ØL	C	E	G	H	M
BBRG62016	6000 PSI	1" BSP	1"1/4	TB14X45	4150	37.70X3.53	JBR20	25	15	66,68	31,75	45	27	M14x45
BBRG62420	6000 PSI	1"1/4 BSP	1"1/2	TB16X50	4187	47.22X3.53	JBR24	32	17	79,38	36,5	50	30	M16x50
BBRG62424	6000 PSI	1"1/2 BSP	1"1/2	TB16X50	4187	47.22X3.53	JBR24	38	17	79,38	36,5	50	30	M16x50
BBRG63232	6000 PSI	2" BSP	2"	TB20X70	4225	56.74X3.53	JBR32	51	21	96,82	44,45	65	37	M20x70
BBRG63224	6000 PSI	1"1/2 BSP	2"	TB20X70	4225	56.74X3.53	JBR32	38	21	96,82	44,45	65	37	M20x70

*** Review attached PDF***

The screws and joints are sold separately.