

Hand pumps

PMD 6-12-25-45 byB-s

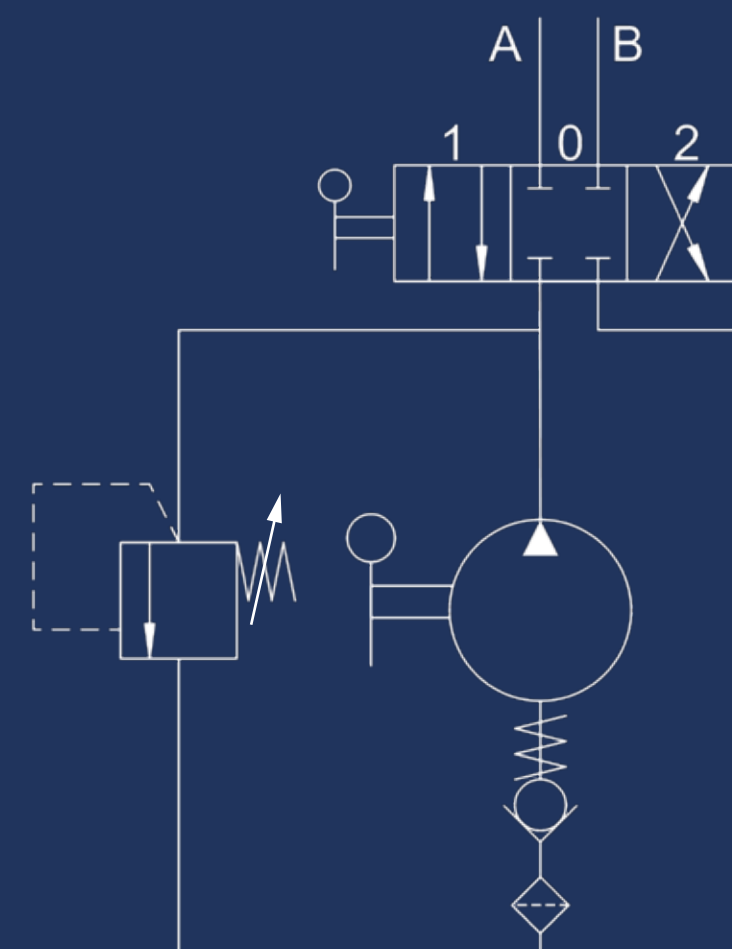
Tech sheet

DETAILS

with 4/3 flow divider closed centre
with pressure relief valve
double acting hand pump for a double acting cylinder for fixing to tank

SPECIFICATIONS

Cast iron body
Piston treated with Niploy
White zinc plated support lever
Lever connection Ø 27
White zinc plated external parts
Standard colour black
Oil tank mounting kit included



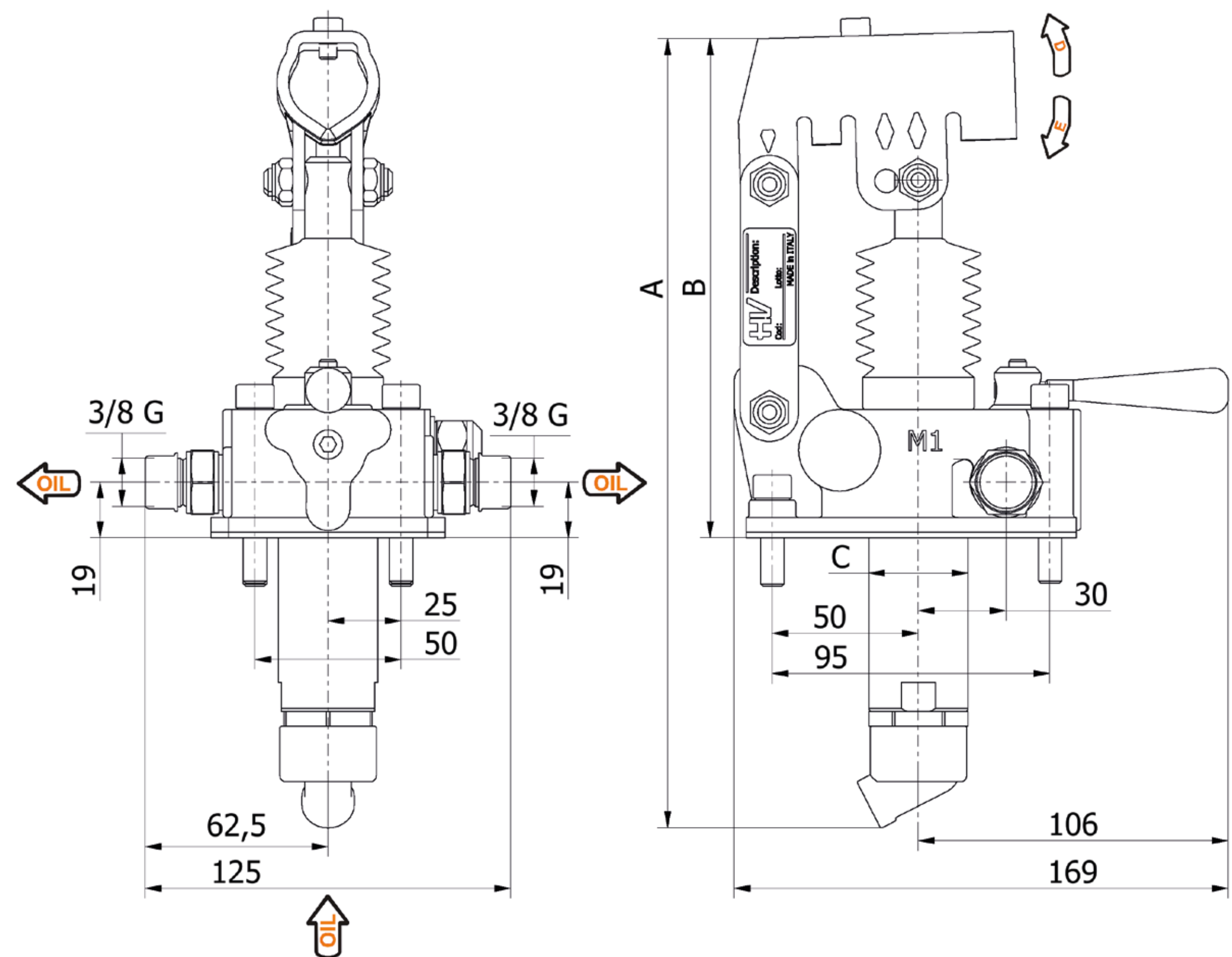
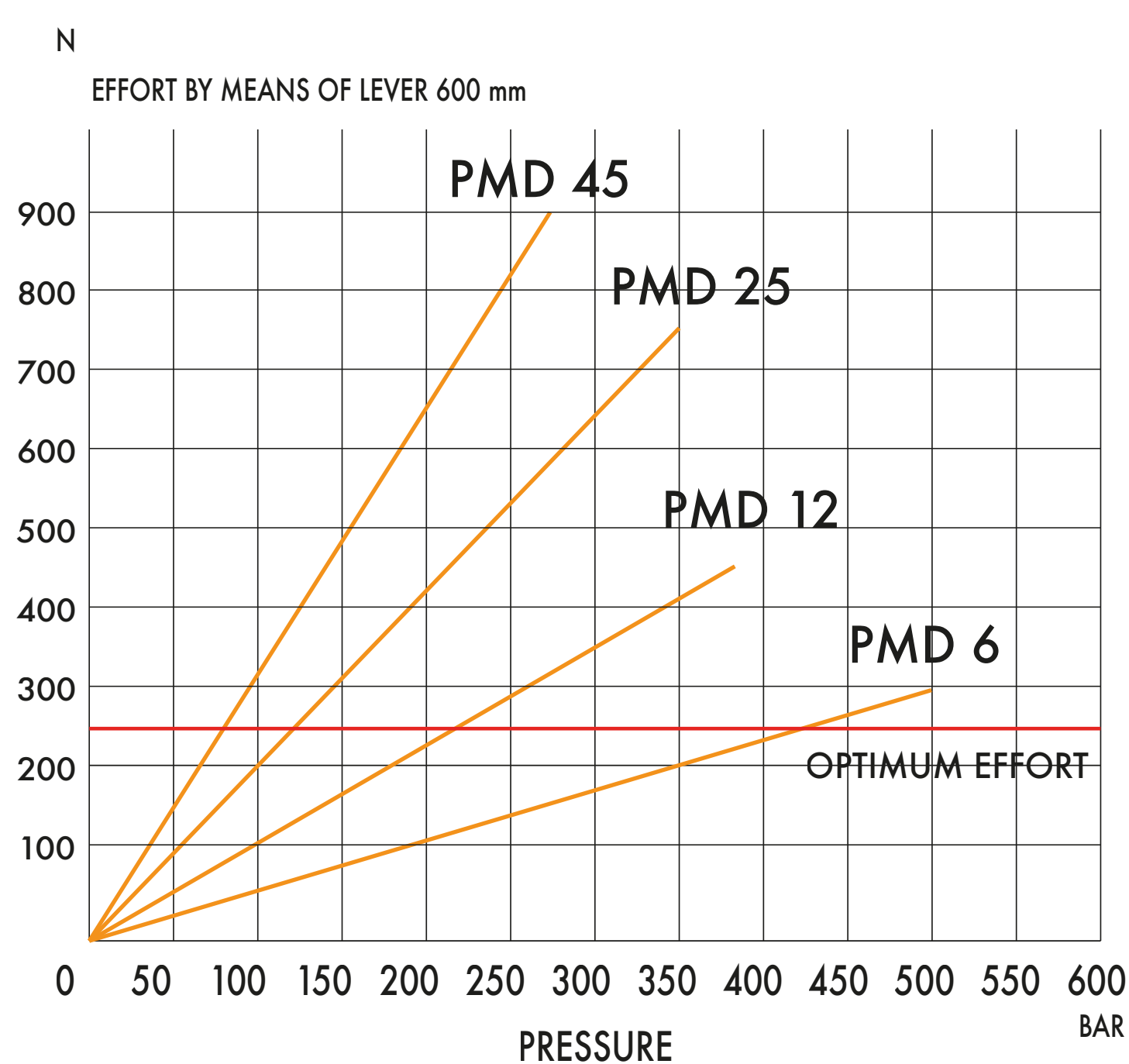
Pressure relief valve standard setting: **100 bar**



On Demand ATEX Certificates

II2G Ex h IIB TX Gb
II2D Ex h IIIB TX Db

EFFORT DIAGRAM



| DISPLACEMENT cm ³ | A mm | B mm | C mm | D ° | E ° | ACTUAL DISPLACEMENT cm ³ | PRESSURE BAR | | MASS KG | CODE |
|---------------------------------|---------|---------|---------|--------|--------|-------------------------------------------|--------------|-----|------------|-----------|
| | | | | | | | OPTIMAL | MAX | | |
| 6 | 253 | 166 | 34 | 26 | 31 | 6,970 | 420 | 500 | 3,400 | 6054.0046 |
| 12 | 253 | 166 | 34 | 26 | 31 | 12,095 | 220 | 380 | 3,400 | 6055.0046 |
| 25 | 273 | 172 | 34 | 30 | 30 | 25,280 | 120 | 350 | 3,450 | 6056.0046 |
| 45 | 283 | 172 | 40 | 45 | 33 | 44,532 | 80 | 280 | 3,500 | 6057.0046 |
| | | | | | | | | | | |



HV Hydraulic s.r.l. | Take YOU to another WORLD

Head Office
Via dell'Agricoltura, 162 Loc. Castello di Serravalle
40053 VALSAMOGGIA (BO) Italy

Warehouse
Via del Lavoro, 111 e 135 Loc. Castello di Serravalle
40053 VALSAMOGGIA (BO) Italy