

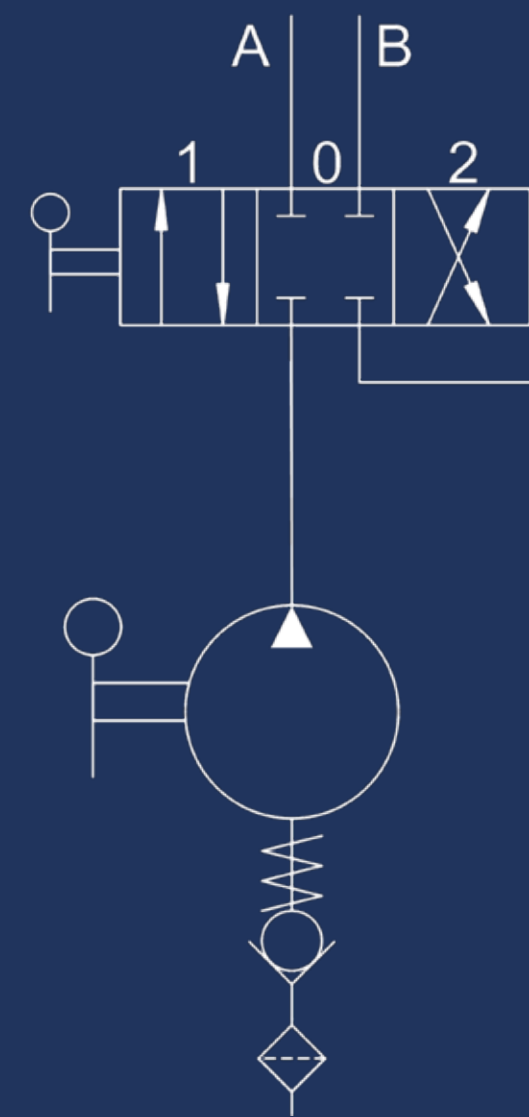
Hand pumps

PMD 6-12-25-45 s

Tech sheet

DETAILS

with 4/3 flow divider closed centre
double acting hand pump for a double acting cylinder
for fixing to tank



SPECIFICATIONS

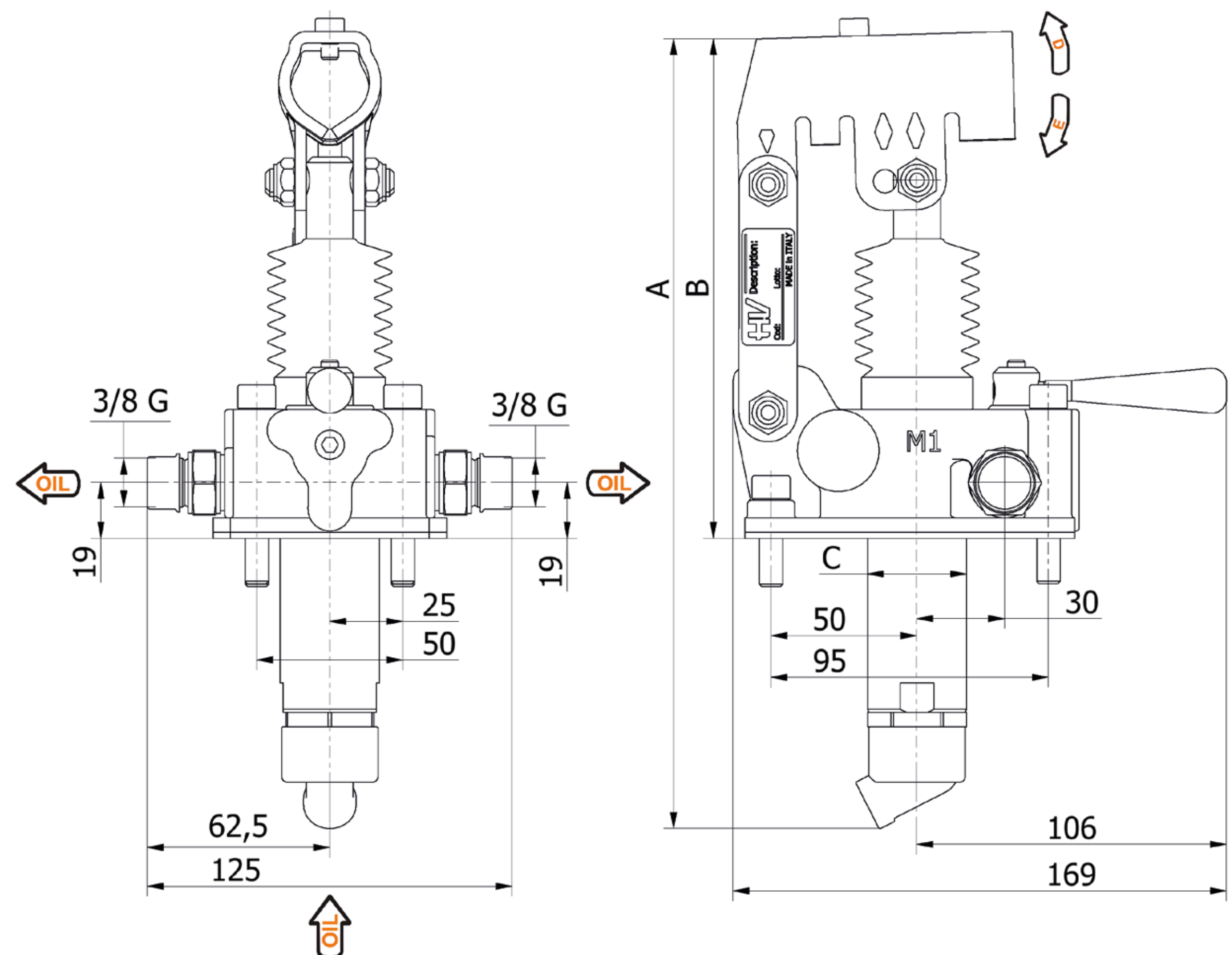
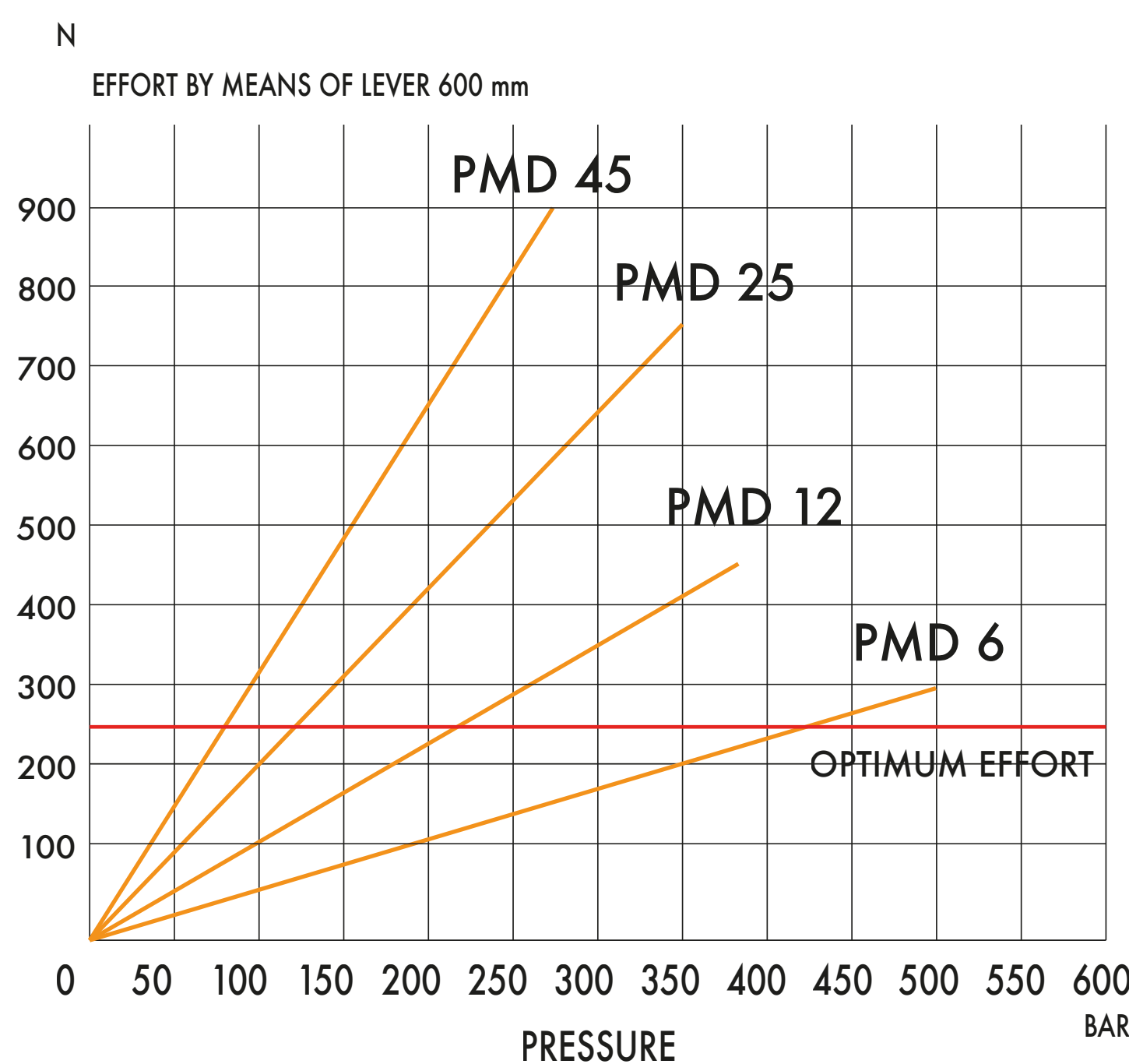
- Cast iron body
- Piston treated with Niploy
- White zinc plated support lever
- Lever connection $\varnothing 27$
- White zinc plated external parts
- Standard colour black
- Oil tank mounting kit included



On Demand ATEX Certificates

II2G Ex h IIB TX Gb
II2D Ex h IIIB TX Db

EFFORT DIAGRAM



DISPLACEMENT cm ³	A mm	B mm	C mm	D °	E °	ACTUAL DISPLACEMENT cm ³	PRESSURE BAR		MASS KG	CODE
							OPTIMAL	MAX		
6	253	166	34	26	31	6,970	420	500	3,400	6054.0045
12	253	166	34	26	31	12,095	220	380	3,400	6055.0045
25	273	172	34	30	30	25,280	120	350	3,450	6056.0045
45	283	172	40	45	33	44,532	80	280	3,500	6057.0045



HV Hydraulic s.r.l. | Take YOU to another WORLD

Head Office
Via dell'Agricoltura, 162 Loc. Castello di Serravalle
40053 VALSAMOGGIA (BO) Italy

Warehouse
Via del Lavoro, 111 e 135 Loc. Castello di Serravalle
40053 VALSAMOGGIA (BO) Italy