

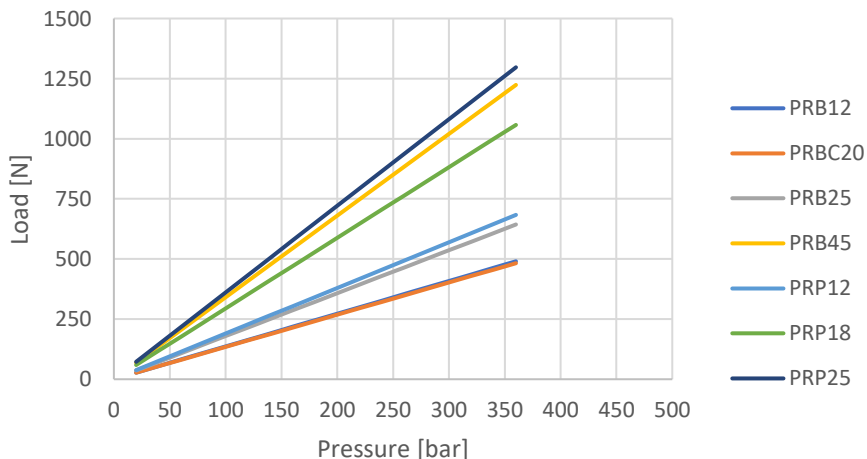
Working conditions

Pump type	PRB(D)12	PRB(D)25	PRB(D)45	PRBC20	PRP12	PRP18	PRP25
Type	Double acting				Single acting		
Displacement	12 cm ³	25 cm ³	45 cm ³	20 cm ³	12 cm ³	18 cm ³	25 cm ³
	0.7 in ³	1.5 in ³	2.7 in ³	1.2 in ³	0.7 in ³	1.1 in ³	1.5 in ³
Max. pressure	380 bar	350 bar	280 bar	350 bar	300 bar	200 bar	160 bar
	5500 psi	5100 psi	4100 psi	4100 psi	4400 psi	2900 psi	2300 psi
Optimal pressure	220 bar	120 bar	80 bar	225 bar	160 bar	120 bar	80 bar
	3200 psi	1700 psi	1200 psi	1200 psi	2300 psi	1700 psi	1200 psi
Fluid	Mineral based oil (DIN51524)						
Fluid temperature (NBR seals)	from -25 °C to 70 °C				from -13 °F to 158 °F		
Viscosity (min.)	10 mm ² /s				10 cSt		
Viscosity (max.)	500 mm ² /s				500 cSt		
Max. level of contamination	20/18/15 - ISO 4406				NAS 1683 - class 10		
Ambient temperature	from -20 °C to 60 °C				from -4 °F to 140 °F		
Note - for different working conditions contact sales dept.							

Reference standard

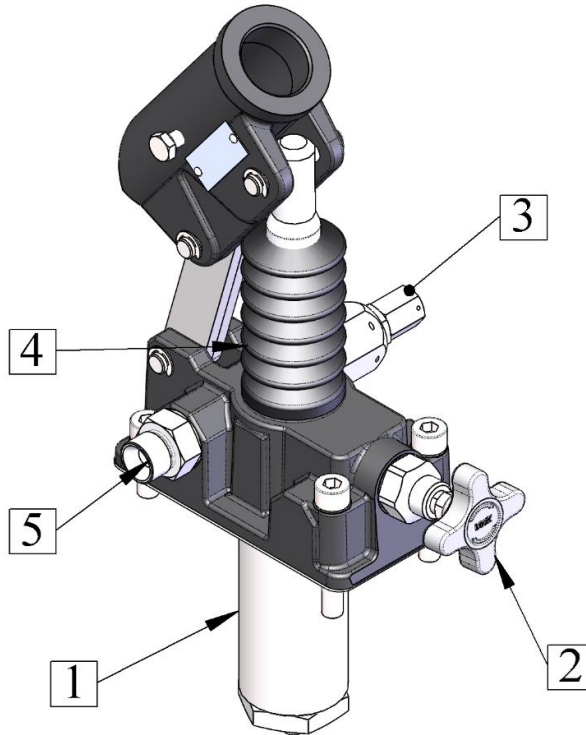
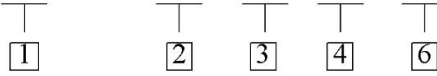
	BSP	UN-UNF	Metric	NPTF
Thread	ISO 228/1	ISO 263	ISO 262	Ansi B1.20.3
according to	BS 2779	ANSI B1.1 unified		
Cavity dimension	ISO	1179	11926	9974-1
according to	SAE	J1926	J2244	J476a
	DIN 3852-2 (Shape X or Y)		3852-1 (Shape X or Y)	

Load effort for 550 mm handle



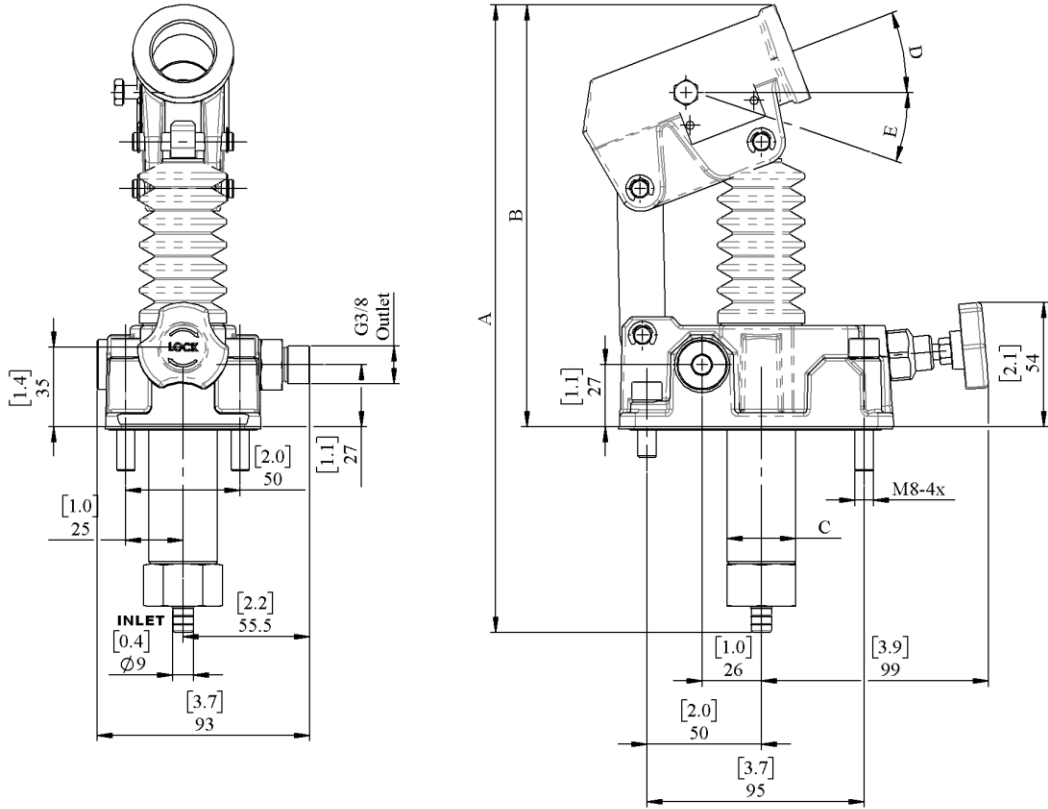
Order code

PRB12 / A - R - M - BP

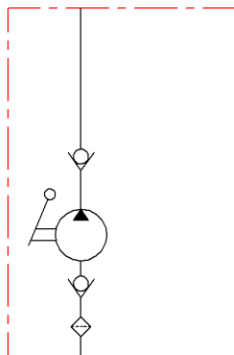


1. Pump type		5. Stud connectors and reducers	
PRB12/25/45	Double acting pump for single acting cylinders	12L	Outlet stud G3/8 (60 deg cone)
PRBD12/25/45	Double acting pump for double acting cylinders	ad3/8NPTF	Outlet stud 12L (M18x1,5)
2. Release valve		G1/4B	Outlet reducer 3/8NPTF
	3S handle of the release valve	xA	G1/4 Banjo
A	4S handle of the release valve	xB	no connector on pos. 2 (PRBD)
E	without release valve	12S	no connector on pos. 1 (PRBD)
3. Relief valve (PRB/PRBD)			Outlet stud 12S (M20x1,5)
	without relief valve	6. Additional options	
R	with relief valve (right side by default)	WoL	without 550 mm lever
RL	with relief valve left side	WoF	without suction filter
4. Other		BP	Black paint RAL9005
M	Dust-proof flexible bellow		

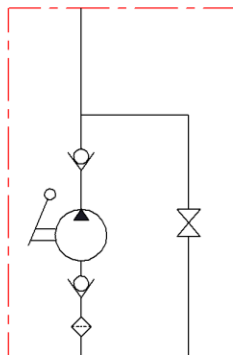
Dimensional data



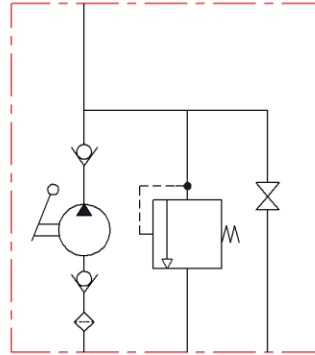
Hydraulic schemes



Without release and relief valve



Without relief valve



With relief valve

Type	A		B		C		D		E		mass	
	mm	in*	mm	in*	mm	in*	mm	in*	mm	in*	kg	lbs*
PRB12	274	10.8	184	7.2	30.0	1.2	21	20	4.0	8.8		
PRB25	286	11.3	195	7.7	35.0	1.2	34	21	4.2	9.3		
PRB45	307	12.1	200	7.9	40	1.6	53.0	25	4.5	9.9		