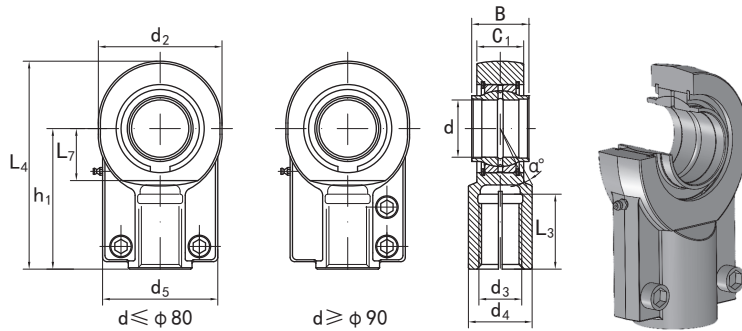


■ 用于液压部件的杆端关节轴承 **GIHN-K..LO** 系列

KGBAL®

ROD ENDS FOR HYDRAULIC COMPONENTS GIHN-K..LO SERIES

需维护、内螺纹、带锁紧螺母型 Requiring maintenance, with female thread and locking nuts



壳体Housing	内圈Inner ring	外圈Outer ring
碳钢Carbon steel	轴承钢Bearing steel	轴承钢Bearing steel
	热处理Heat treated:HRC58-64	热处理Heat treated:HRC54-60
	磷化Phosphating	磷化Phosphating
摩擦副Sliding contact surfaces:		钢/钢 Steel/Steel

型号 Part No.		尺寸 Dimensions											mm		载荷Load ratings kN		重量 Weight kg
右螺纹 Right hand	左螺纹 Left hand	d	d ₃ 6H	d ₄	L ₃ min	B	C ₁	d ₂	L ₇ min	h ₁	L ₄	d ₅	α ≈	动载荷 Dynamic	静载荷 Static		
GIHN-K 12 LO*	GIHN-KL 12 LO*	12	M12×1.25	16.5	17	12	11	32	14	38	54	32	4	10.8	24.5	0.1	
GIHN-K 16 LO	GIHN-KL 16 LO	16	M14×1.5	21	19	16	14	40	18	44	64	40	4	17.6	36.5	0.2	
GIHN-K 20 LO	GIHN-KL 20 LO	20	M16×1.5	25	23	20	17	47	22	52	77	47	4	30	48	0.4	
GIHN-K 25 LO	GIHN-KL 25 LO	25	M20×1.5	30	29	25	22	58	27	65	96	54	4	48	78	0.66	
GIHN-K 32 LO	GIHN-KL 32 LO	32	M27×2.0	38	37	32	28	71	32	80	118.5	66	4	67	114	1.2	
GIHN-K 40 LO	GIHN-KL 40 LO	40	M33×2.0	47	46	40	33	90	41	97	146	80	4	100	204	2.1	
GIHN-K 50 LO	GIHN-KL 50 LO	50	M42×2.0	58	57	50	41	109	50	120	179.5	96	4	156	310	4.4	
GIHN-K 63 LO	GIHN-KL 63 LO	63	M48×2.0	70	64	63	53	136	62	140	213	114	4	255	430	7.6	
GIHN-K 70 LO	GIHN-KL 70 LO	70	M56×2.0	80	76	70	57	155	70	160	245	135	4	315	540	9.5	
GIHN-K 80 LO	GIHN-KL 80 LO	80	M64×3.0	90	86	80	67	170	78	180	270.5	148	4	400	695	14.5	
GIHN-K 90 LO	GIHN-KL 90 LO	90	M72×3.0	100	91	90	72	185	85	195	296	160	4	490	750	17	
GIHN-K 100 LO	GIHN-KL 100 LO	100	M80×3.0	110	96	100	85	210	98	210	322	178	4	610	1060	28	
GIHN-K 110 LO	GIHN-KL 110 LO	110	M90×3.0	125	106	110	88	235	105	235	364	190	4	655	1200	32	
GIHN-K 125 LO	GIHN-KL 125 LO	125	M100×3.0	135	113	125	103	265	120	260	405	200	4	950	1430	43	
GIHN-K 160 LO	GIHN-KL 160 LO	160	M125×4.0	165	126	160	130	326	150	310	488	250	4	1370	2200	82.5	

——带"*"的型号均不能润滑。

——Relubrication not available for sizes marked "**".