



guarnizioni per STELO

ROD seals



TSE TSE/AI

**Guarnizioni per STELO
ROD seals**

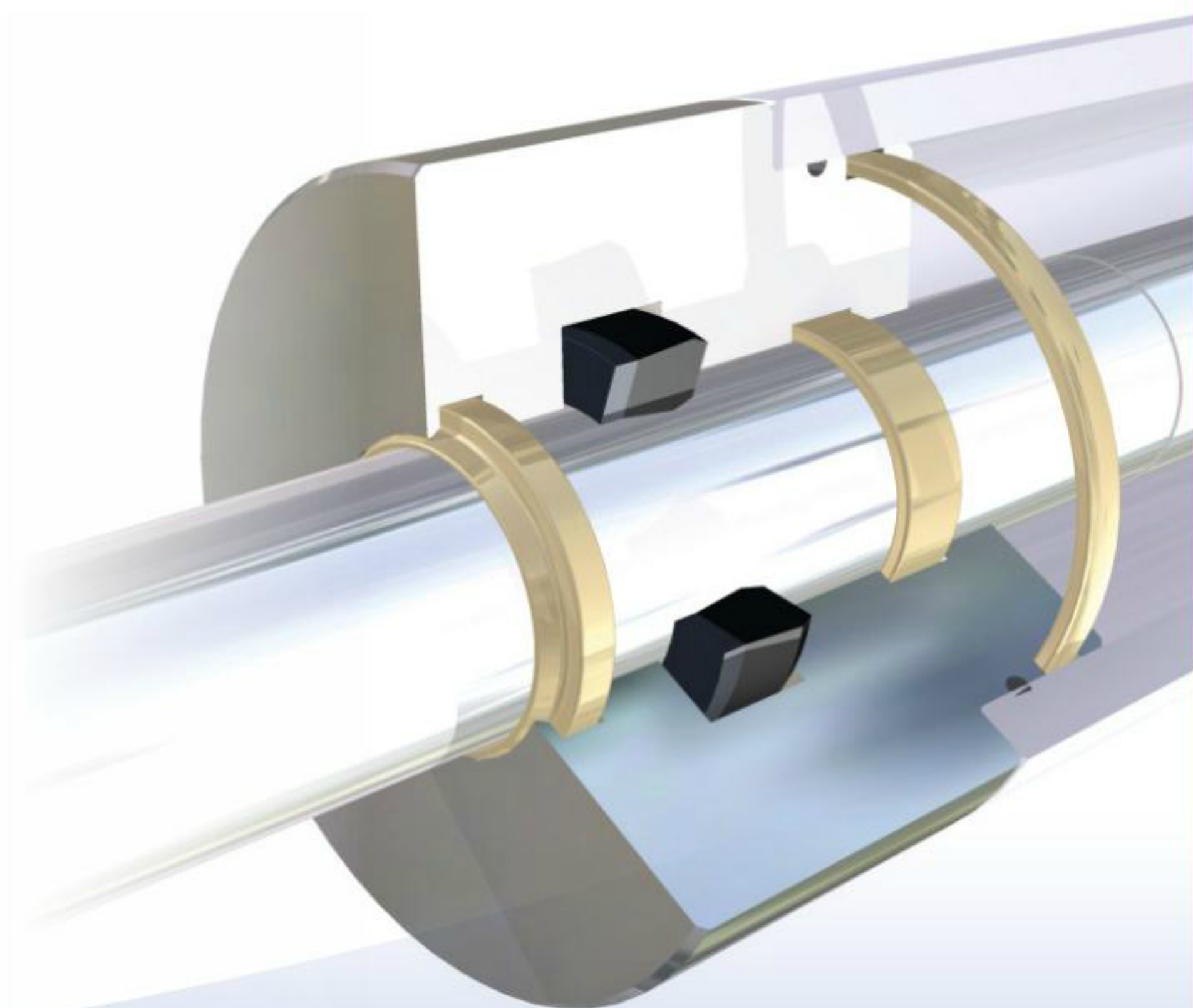
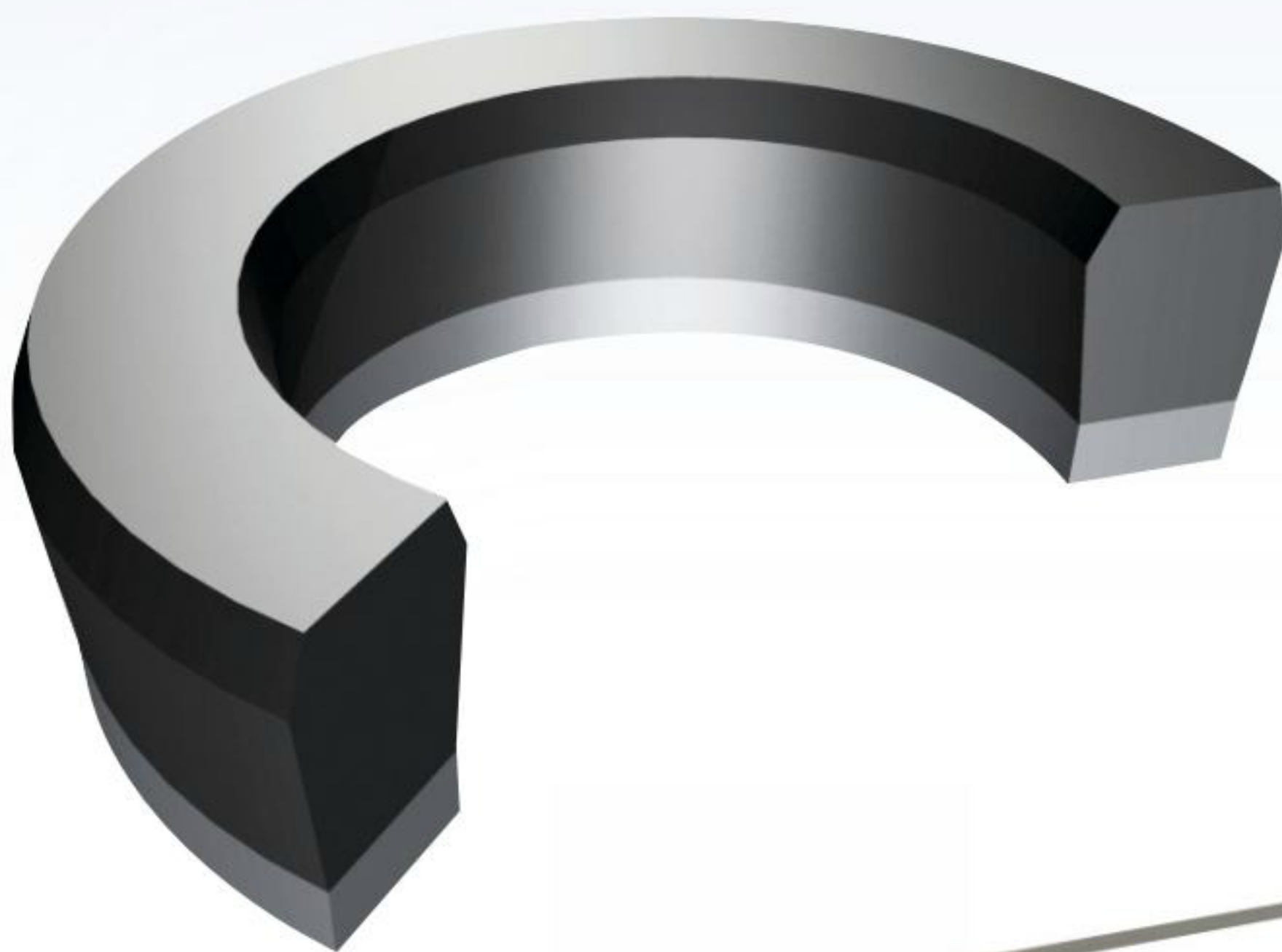
TECNOTEX

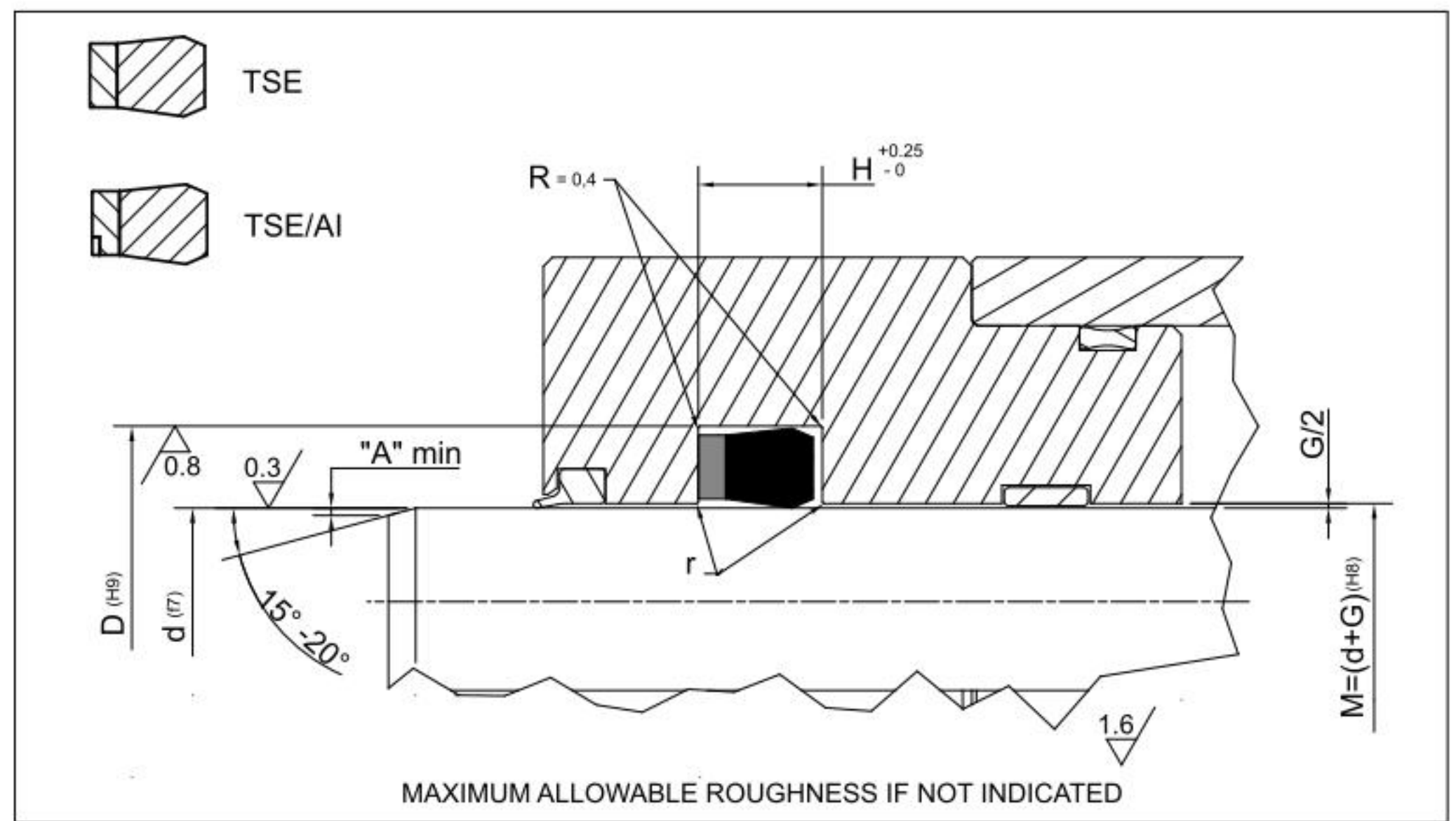


Versione standard		Standard version	
TSE	Gommatela	TSE	NBR/Cotton Fabric
TSE/AI	Gommatela+POM	TSE/AI	NBR/Cotton Fabric+POM
Versioni Alternative		Alternative Versions	
TSE FKM	Gommatela FKM	TSE FKM	NBR/Cotton Fabric FKM
TSE/AI FKM	Gommatela FKM+POM	TSE/AI FKM	NBR /Cotton Fabric FKM+POM
Pressione fino a / Pressure up to			
25 MPa TSE		40 MPa TSE/AI	
Velocità fino a / Speed up to			
0.5 m/s			
Temperatura / Temperature			
-30° +110°C		-20°C +200°C FKM	
Applicazioni		Applications	
Cilindri idraulici Presse idrauliche Montacarichi		Standard hydraulic cylinders Presses Lifts	

TSE • TSE/AI

16÷24





Rod Seal design guidelines

	0mm < d ≤ 50mm	50mm < d ≤ 100mm	100mm < d ≤ 150mm	d ≥ 150mm
r	remove sharp edges			
A	1 mm	2 mm	3 mm	3 mm < A ≤ 5 mm

Operating pressure to determinate Maximum Gap Allowance: G/2

G	Profile Dimension	> 16 MPa	> 26 MPa	> 32 MPa	> 40 MPa
	≤ 5		0.50 mm	0.40 mm	0.35 mm
> 5.0 – 7.5		0.55 mm	0.45 mm	0.40 mm	0.35 mm
> 7.5 – 12.5		0.60 mm	0.50 mm	0.45 mm	0.40 mm
15		0.65 mm	0.55 mm	0.45 mm	0.40 mm



PART NR		DIMENSIONI SEDI / Housing dimensions		
		d	D	H
TSE 2001	047019/A	5,00	12,00	6,50
TSE 2002	051023/A	6,00	13,00	6,50
TSE 2003	059031/A	8,00	15,00	6,50
TSE 2003/1	070039/1	10,00	18,00	6,00
TSE 2004	075047/A	12,00	19,00	6,50
TSE 2005	086055/A	14,00	22,00	6,50
TSE 2006	086055	14,00	22,00	6,50
TSE 2006/1	087062	15,87	22,22	5,25
TSE 2006/3	090047	12,00	23,00	7,50
TSE 2006/2	090055	14,00	23,00	7,00
TSE 2007	090059	15,00	23,00	6,30
TSE 2007/1	090063	16,00	23,00	7,00
TSE 2008	094063/1	16,00	24,00	6,40
TSE 2009	094063	16,00	24,00	7,00
TSE 2010	102070/A	18,00	26,00	6,50
TSE 2011	102070	18,00	26,00	7,00
TSE 2012	106059	15,00	27,00	7,00
TSE 2013	106078	20,00	27,00	6,50
TSE 2014	110070	18,00	28,00	6,30
TSE 2014/2	110070/1	18,00	28,00	9,50
TSE 2014/1	118070	18,00	30,00	7,50
TSE 2015	110078/1	20,00	28,00	6,30
TSE 2016	110078	20,00	28,00	7,00
TSE 2017	118078	20,00	30,00	8,50
TSE 2018	118086/A	22,00	30,00	6,50
TSE 2019	118086	22,00	30,00	7,00
TSE 2019/3	124098	25,00	32,00	7,00