



# TTS TTS/L TTS/L-AI

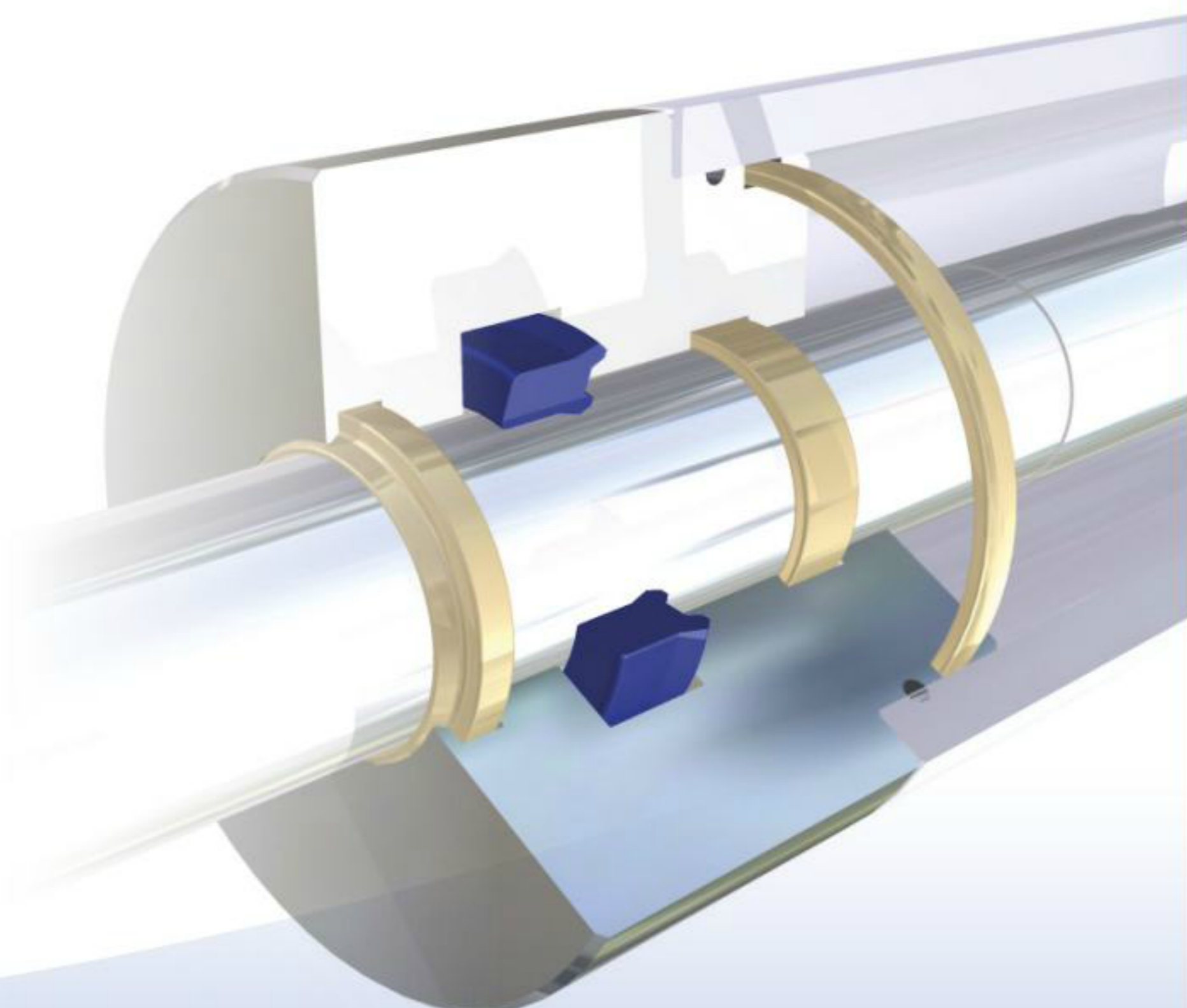
**Guarnizioni per STELO**  
**ROD seals**

**TECNOLAN**

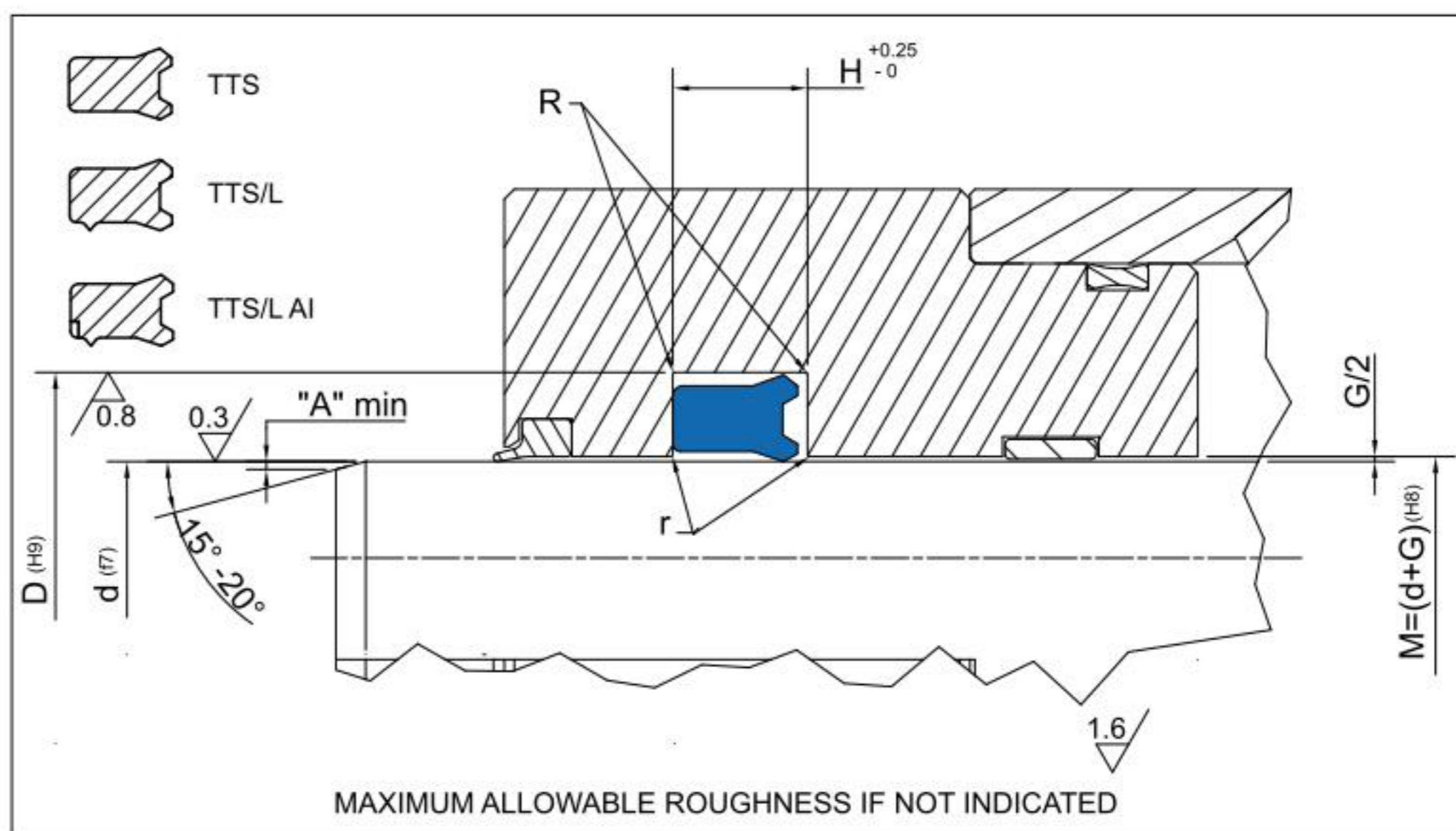
Versione standard			Standard version		
TTS	TTS/L	Poliuretano	TTS	TTS/L	Polyurethane
TTS/AI	TTS/L AI	Poliuretano +POM	TTS/AI	TTS/L AI	Polyurethane+POM
Versioni Alternative			Alternative Versions		
Poliuretano Basse Temperature			Low Temperature Polyurethane		
Pressione fino a / Pressure up to					
40 MPa					
Velocità fino a / Speed up to					
0.5 m/s					
Temperatura / Temperature					
-35°C +100°C			-45°C +110°C PN 522		
Applicazioni			Applications		
Cilindri Idraulici			Hydraulic Cylinders		
Cilindri Telescopici			Telescopic Cylinders		
Cilindri per Gru			Truck crane Cylinders		
Sponde Idrauliche			Tail Lifts		
Cilindri per Agricoltura			Agricultural Cylinders		
Presse ad iniezione			Injection moulding machines		

# TTS • TTS/L • TTS/L-AI

46÷58



# TTS TTS/L TTS/L-AI



### Rod Seal design guidelines

	0mm < d ≤ 50mm	50mm < d ≤ 100mm	100mm < d ≤ 150mm	d ≥ 150mm
r	remove sharp edges			
A	1 mm	2 mm	3 mm	3 mm < A ≤ 5 mm

### Operating pressure to determinate Maximum Gap Allowance: G/2

G	Profile Dimension	> 16 MPa	> 26 MPa	> 32 MPa	> 40 MPa
	≤ 5		0.50 mm	0.40 mm	0.35 mm
> 5.0 - 7.5		0.55 mm	0.45 mm	0.40 mm	0.35 mm
> 7.5 - 12.5		0.60 mm	0.50 mm	0.45 mm	0.40 mm
15		0.65 mm	0.55 mm	0.45 mm	0.40 mm

PART NR		DIMENSIONI SEDI / Housing dimensions		
		d	D	H
TTS 501	6-14-5,8/L	6,00	14,00	6,30
TTS 502	6,35-14,3-6/L	6,35	14,30	7,00
TTS 502/3	7-14-7,2	7,00	14,00	8,00
TTS 502/4	7-14-6,2	7,00	14,00	7,00
TTS 502/1	8-14-5,5/L	8,00	14,00	6,00
TTS 502/2	8-15-5,8/L	8,00	15,00	6,30
TTS 503	8-16-5,8/L	8,00	16,00	6,30
TTS 503/1	10-15-3	10,00	15,00	3,60
TTS 504	10-16-4,8/L	10,00	16,00	5,40
TTS 505	10-18-5,8/L	10,00	18,00	6,30
TTS 506	12-18-4,5	12,00	18,00	5,00
TTS 507	12-19-5,7/L	12,00	19,00	6,30
TTS 508	12-20-5,8	12,00	20,00	6,30
TTS 509	12-20-5,8/L	12,00	20,00	6,30
TTS 510	12-23-6,5/L	12,00	23,00	7,50
TTS 510/1	13-24-6/L	13,00	24,00	7,00
TTS 510/2	14-20-3	14,00	20,00	3,60
TTS 511	14-20-4,8/L	14,00	20,00	5,30
TTS 512	14-22-5,8/L	14,00	22,00	6,30
TTS 512/1	14-23-5,6/L	14,00	23,00	6,00
TTS 512/2	14-23-5,8/L	14,00	23,00	6,30
TTS 512/3	14,5-20-3,5	14,50	20,00	4,00
TTS 512/4	15-20-3,2	15,00	20,00	3,80
TTS 513	15-21,5-4,2	15,00	21,50	5,00
TTS 514	15,4-25,5-6,5/L	15,40	25,50	7,40
TTS 515	16-22-4	16,00	22,00	4,50
TTS 515/1	16-23-5,8/L	16,00	23,00	6,30